

# 714

MODELLI MODELS	MOMENTO LIFTING MOMENT	SBRACCIO ORIZ. HORIZ. HYDRAULIC OUTREACH	PORTATA AL DISTRIBUTORE OIL FLOW TO THE CONTROL VALVE	SBRACCIO MAX. VERTICALE MAX VERTICAL REACH	PESO WEIGHT	PRESSIONE PRESSURE	INTERASSE STABILIZZATORI STANDARD APERTI DISTANCE BETWEEN CENTRES WITH OPENED OUTRIGGERS	INTERASSE STAB. EXTRA APERTI EXTRA WIDE DISTANCE BETWEEN CENTRES WITH OPENED OUTRIGGERS
	Tm.	m.	l/min	m.	Kg	bar	mm.	mm.
714 A1	14.0	6.29	35	9.72	1560	300	3990	5190
714 A2	13.5	8.34	35	11.74	1700	300	3990	5190
714 A3	13.0	10.42	35	13.81	1815	300	3990	5190
714 A4	12.7	12.56	35	15.93	1930	300	3990	5190
714 A5	12.4	14.66	35	18.0	2015	300	3990	5190
714 A4J2	-	17.43	35	20.76	2160	300	3990	5190

Autocarro consigliato - Recommended truck - Camion conseillé - Camion aconsejado  
M.T.T. ton 12 - G.V.W. ton 12

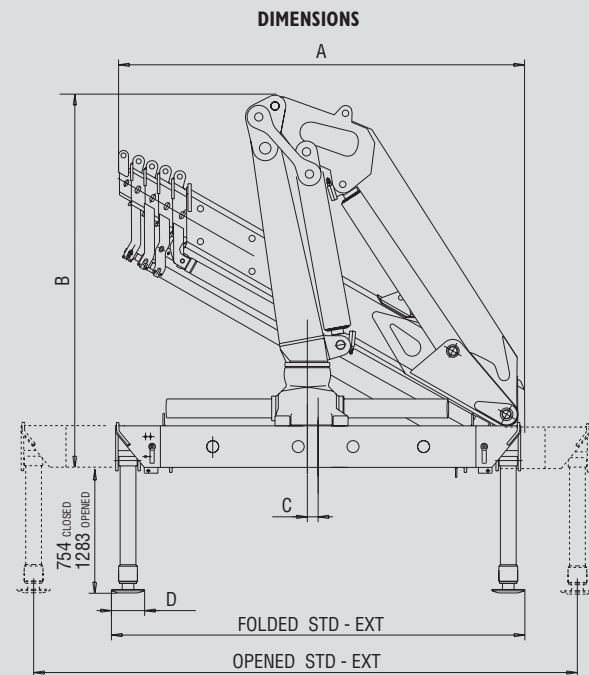
#### STANDARD



#### STANDARD CE



Model	2.89m	4.41m	6.29m	8.33m	10.41m	12.55m	14.64m	16.63m	18.71m
<b>714 A1</b>									
m	2.89	4.41	6.29	8.33	10.41	12.55	14.64	16.63	18.71
Kg	4750	3175	2215	1300	940	730			
<b>714 A2</b>									
m	2.89	4.50	6.38	8.33	10.41	12.55	14.64	16.63	18.71
Kg	4550	3000	2060	1560	940	730	500		
<b>714 A3</b>									
m	2.89	4.58	6.46	8.41	10.41	12.55	14.64	16.63	18.71
Kg	4400	2850	1925	1430	1140	730	500	360	
<b>714 A4</b>									
m	2.89	4.67	6.55	8.50	10.50	12.55	14.64	16.63	18.71
Kg	4300	2720	1810	1320	1030	850	500	360	250
<b>714 A5</b>									
m	2.89	4.76	6.64	8.59	10.59	12.64	14.64	16.63	18.71
Kg	4150	2600	1705	1220	935	755	640	360	250
<b>714 A4J2</b>									
m									
Kg									



Mod.	FOLDED				OPENED			
	A	B	C	STD	EXT	D	STD	EXT
714 A1	2150	2280	65	2490	2490	200	3990	5190
714 A2	2240	2280	65	2490	2490	200	3990	5190
714 A3	2330	2280	65	2490	2490	200	3990	5190
714 A4	2430	2280	65	2490	2490	200	3990	5190
714 A5	2450	2280	65	2490	2490	200	3990	5190
714 A4J2	2480	2300	65	2490	2490	200	3990	5190

#### SPAZIO RICHIESTO PER L'INSTALLAZIONE NECESSARY SPACE FOR INSTALLATION

714	Con attivazioni - With extra function	
714 A1	780	940
714 A2	780	940
714 A3	780	940
714 A4	780	940
714 A5	940	
714 A4J2	940	



F.lli FERRARI CORPORATION S.p.A.  
Via Pasubio, 3  
42022 Boretto (RE) Italy  
Tel. +39 0522/486311  
Fax +39 0522/486330  
E-mail: marketing@fliferrari.com  
www.fliferrari.com

COMPANY  
WITH QUALITY MANAGEMENT  
SYSTEM CERTIFIED BY DNV  
=ISO 9001/2000=

M.K.T. 5800137 10/05 3000

  
**714**



**714**  
**RED POWER**



F.LLI FERRARI CORPORATION S.p.A.

Dati, descrizioni e illustrazioni sono indicativi e non impegnano F.lli Ferrari. Gru prodotte e/o commercializzate da F.lli Ferrari - Data, descriptions and illustrations are merely indicative and not binding. Cranes manufactured and marketed by F.lli Ferrari - Les données, descriptions et illustrations sont uniquement indicatives et n'engagent pas F.lli Ferrari. Grues produites et/ou vendues par F.lli Ferrari - Angaben, Beschreibungen und Abbildungen sind weisend und verpflichten nicht F.lli Ferrari. Die Kräne werden von F.lli Ferrari hergestellt und/oder vermarktet - Los datos, las descripciones y las ilustraciones son indicativos y no implican compromiso para F.lli Ferrari. Gruas producidas y/o comercializadas por F.lli Ferrari - Os dados as descrições e ilustrações são indicativos e não comprometem F.lli Ferrari. Guindaste produzidos e/ou comercializados pela F.lli Ferrari.

# FERRARI 714



I

La gru F.Ili Ferrari mod. 714 racchiude in se caratteristiche tecniche e meccaniche di elevata qualità

- Acciai ad alto limite di snervamento
- Basamento e pignone colonna in fusione
- Struttura interamente sabbiata
- Bracci esagonali
- Sbracci fino a 14.64 m (18.7 con prolunga meccanica)
- Valvole di sicurezza flangiata
- Valvola rigenerativa sugli sfili idraulici
- Comandi bilaterali (No RDC)
- Raccordi girevoli su distributore
- Limitatore di momento (CE)
- Stabilizzatori inclinabili
- Pattini di scorrimento con ripresa gioco autoserrante
- Boccole autolubrificanti
- Raccorderia SAE J 1514I
- Gancio girevole
- Kit di montaggio compreso
- Red Power

**Accessori**

- Prolunghe meccaniche
- Comandi supplementari attivati\*
- Stabilizzatori extraestendibili (5.190)
- Stab. estendibili idraulicamente
- Distributore proporzionale Compensato
- Utilizzo con attrezzo\*
- ECM Electronic Crane Manager (RDC)
- Dispositivo di controllo RLC
- Piattello stabilizzatore snodato
- Traverse supplementari
- Verricello idraulico
- Comando a distanza
- Scambiatore di calore
- Sedile

\*) solo/only A1-A2-A3-A4



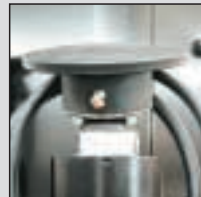
GB

The crane model 714 from F.Ili Ferrari has been projected and manufactured with high quality technical and mechanical characteristics

- Steel at high yielding edge
- Basement and column pinion by melding made
- Structure fully sandblasted
- Hexagonal booms
- Hydraulic outreach until 14.64 mt (18.7 with mechanical boom)
- Flanged valves
- Regenerating valve on hydraulic booms
- Bilateral controls (No RDC)
- Turning fittings on the control valve
- Load limiting device (CE)
- Tilting outriggers
- Sliding pad with self-adjusting gap
- Self-tapping bushings
- SAE JIC 1514I fittings
- Turning hook
- Mounting kit included
- Red Power

**Accessories**

- Mechanical booms
- Extra functions\*
- Extra wide outriggers (5.190)
- Hydraulic opening cylinders
- Proportional control valve
- Use with special equipments\*
- ECM Electronic Crane Manager (RDC)
- Load radio checking device RLC
- Articulated outrigger plate
- Extra beams
- Hydraulic winch
- Remote control
- Oil cooler
- Top seat



F

LA grue modèle 714 F.Ili Ferrari est conçue avec des caractéristiques techniques et mécaniques de plus haute qualité

- Acier à haut niveau de déformation plastique
- Embase et pignon colonne moulés
- Structure complètement sablée
- Rallonges hexagonales
- Portée Hydraulique jusqu'à 14.64 Mt (18.7 mt avec rallonges mécaniques)
- Vannes bridées
- Vanne regeneration huile sur rallonges hydrauliques
- Commandes bilatérales (No RDC)
- Raccords tournants sur distributeur
- Limiteur de moment (CE)
- Béquilles inclinables
- Patins de coulissement auto enregistrables
- Douilles autolubrifiantes
- Raccords SAE-JIC 1514I
- Crochet tournant
- Kit de montage inclus
- Red Power

**Accessoires**

- Rallonges mécaniques
- Circuits supplémentaires activés\*
- Béquilles extra larges (5.190)
- Béquilles à ouverture hydraulique
- Distributeur proportionnel
- Utilisation avec accessoires\*
- ECM Electronic Crane Manager (RDC)
- Dispositif de contrôle de la charge RLC
- Plat d'appui béquille avec joint à rotule
- Poutres bâquilles supplémentaires
- Treuil hydraulique
- Commande à distance
- Refroidisseur huile
- Siège en haut



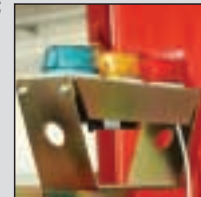
D

Das Kranmodell 714 vom F.Ili Ferrari ist mit höchsten Qualität für technischen und mechanischen Eigenschaften projiziert und hergestellt worden

- Stahl am hohen einträglichen Rand
- Sockel und Zahnrad beim Schmelzen gemacht
- Struktur voll Sand gestraht
- Sechseckige Ausschube
- Hydraulischen Reichweiten bis 14.64 mt. (18.7 mt mit mechanischen Ausschube)
- Geflanscht Ventilen
- Regenerations-Ventil auf die Ausschube
- Zweiseitige Kontrollen (No RDC)
- Drehbar Anschlusse auf Steuerung
- Lasthaltventil (CE)
- Verstellbar Abstützungen
- Gleitschuh mit Selbstnachsteller Spiel
- Selbstschmierende Buchsen
- SAE-JIC 1514I Anschlusse
- Schwenkbar Haken
- Einsatzbau eingeschlossen
- Red Power

**Zubehöre**

- Mechanische Ausschube
- Zusatzfunktionen\*
- Extra-weit Abstützungen (5.190)
- Abstützungen mit hydraulischen Öffnung
- Proportional Steuerung
- Benutzung mit Zubehöre\*
- ECM Electronic Crane Manager (RDC)
- Gewichtskontrolle Vorrichtung RLC
- Gelenkstutzscheibe
- Zusatzabstützungen
- Hydraulischer Winde
- Fernsteuerung
- Ölkühler
- Hochsitz



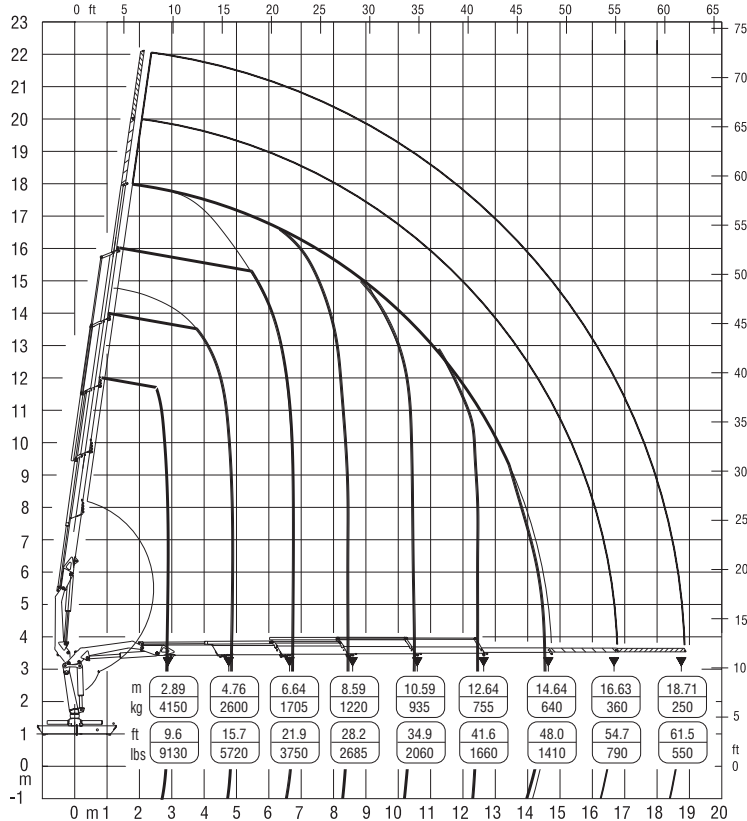
SP

El modelo de la grúa 714 de F.Ili Ferrari se ha proyectado y fabricado con características técnicas y mecánicas de alta calidad

- Acero en el alto borde de rendimiento
- Piñón de la columna y basamento moldeados
- Estructura completamente arenada
- Prolongas hexagonales
- Alcances hidraulicos hasta mt. 14.64 (18.7 mt con prolongas mecanicas)
- Valvulas rebordeadas
- Valvula de regeneración sobre las prolongas
- Mandos bilaterales (No RDC)
- Empalmes giratorios sobre distribidor
- Limitador de momento (CE)
- Patas inclinables
- Patin de deslizamiento con juego autoregurable
- Casquillos autolubrificantes
- Empalmes SAE-JIC 1514I
- Gancho giratorio
- Kit de montaje incluido
- Red Power

**Accesorios**

- Prolongas mecánicas
- Activaciones adicionales\*
- Patas extra-largas (5.190)
- Patas con abertura hidraulica
- Distribuidor proporcional
- Utilización con accesorios\*
- ECM Electronic Crane Manager (RDC)
- Dispositivo de verificación de carga RLC
- Plato de apoyo de patas articulado
- Patas adicionales
- Cabrestante hidraulico
- Mando a distancia
- Cambiador de calor
- Puesto de mando arriba



Questo dispositivo visualizza su un display collocato in prossimità dei comandi il carico applicato al gancio della gru, rendendo l'utilizzo delle prolunghe meccaniche sicuro secondo la normativa europea EN 12999.

This device shows the load at the hook on a display placed near the controls, making safe the use of the mechanical booms following the European rule EN 12999.



**RADIO REMOTE CONTROL**

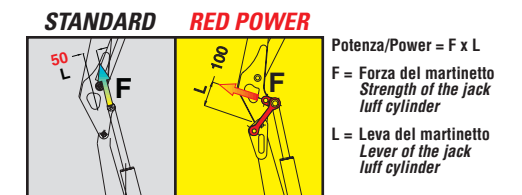


The operator can control the crane with high precision proportional levers in every position and, doing so, can supervise the loading and unloading operations. That means a great time saving and a higher safety.

All the remote control used by F.Ili FERRARI CORPORATION have an identification code and are shielded from electromagnetic fields and from external radio signals.

**RED POWER, FINO AL DOPPIO DELLA POTENZA\***

**RED POWER, TWICE THE POWER\***



POWER 50% POWER 100%

Red power è sinonimo di maggior potenza di articolazione dei bracci gru, realizzato tramite un sistema di bielle di articolazione.

"Red Power" means more leverage to the crane booms. This leverage is achieved through an articulating connecting rod system.



\*) In posizione verticale / In vertical position

