

719R

MODELLI MODELS	MOMENTO LIFTING MOMENT	SBRACCIO ORIZ. HORIZ. HYDRAULIC OUTREACH	PORTATA AL DISTRIBUTORE OIL FLOW TO THE CONTROL VALVE	SBRACCIO MAX. VERTICALE MAX VERTICAL REACH	PESO WEIGHT	PRESSIONE PRESSURE	INTERASSE STAB. STANDARD APERTI DISTANCE BETWEEN CENTRES WITH OPENED OUTRIGGERS	INTERASSE STAB. EXTRA APERTI EXTRA WIDE DISTANCE BETWEEN CENTRES WITH OPENED OUTRIGGERS
	Tm.	m.	l.min	m.	Kg	bar	mm.	
719R A1	16.0	6.20	25	10.07	1940	310	5000	6000
719R A2	15.2	8.25	25	12.09	2084	310	5000	6000
719R A3	14.5	10.29	25	14.11	2223	310	5000	6000
719R A4	14.1	12.38	25	16.18	2345	310	5000	6000
719R A5	13.6	14.52	25	18.29	2457	310	5000	6000
719R A6	13.3	16.60	25	20.35	2548	310	5000	6000
719R A3J3	-	17.46	25	21.52	2643	310	5000	6000
719R A4J2	-	18.18	25	21.93	2887	310	5000	6000
719R A4J3	-	19.55	25	23.60	2942	310	5000	6000

Autocarro consigliato - Recommended truck - Camion conseilla - Camion aconsejado
M.T.T. ton 15 - G.V.W. ton 15

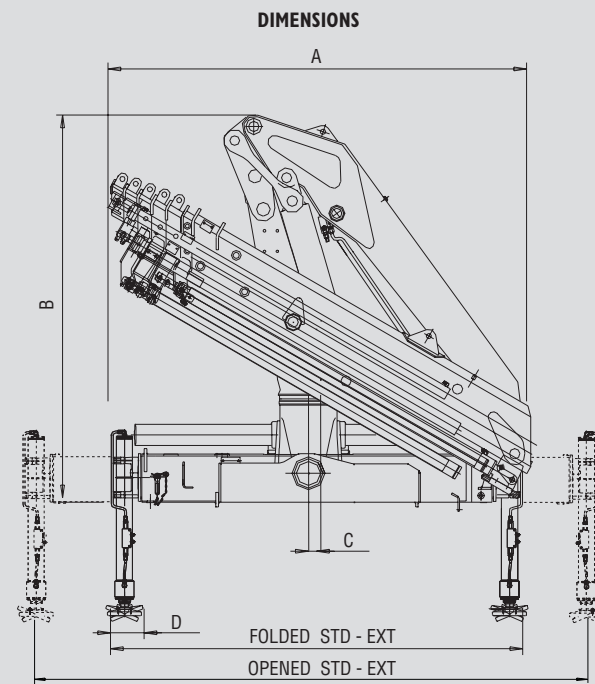
STANDARD



719R A1												
m	2.76	4.32	6.20	8.15	10.29	12.38	14.52					
Kg	5550	3675	2575	1770	1270	945	710					
719R A2												
m	2.76	4.42	6.30	8.25	10.29	12.38	14.52					
Kg	5250	3425	2365	1800	1270	945	710					
719R A3												
m	2.76	4.51	6.39	8.34	10.29	12.38	14.52	16.60				
Kg	5050	3205	2180	1630	1310	945	710	545				
719R A4												
m	2.76	4.60	6.48	8.43	10.38	12.38	14.52	16.60	18.63			
Kg	4900	3050	2050	1500	1180	980	710	545	400			
719R A5												
m	2.76	4.69	6.57	8.52	10.47	12.47	14.52	16.60	18.63	20.71		
Kg	4750	2905	1920	1380	1065	865	730	545	400	240		
719R A6												
m	2.76	4.75	6.65	8.60	10.55	12.55	14.60	16.60	18.63	20.71		
Kg	4600	2785	1820	1305	970	770	640	555	400	240		
719R A3J3												
m								13.06	14.64	16.18	17.76	19.44
Kg								640	550	490	445	290
719R A4J2												
m								15.06	16.64	18.18	19.86	21.59
Kg								455	400	365	300	250
719R A4J3												
m								15.16	16.74	18.28	19.86	21.59
Kg								400	345	305	280	230

Dati, descrizioni e illustrazioni sono indicativi e non impegnano F.lli Ferrari. Gru prodotte e/o commercializzate da F.lli Ferrari - Data, descriptions and illustrations are merely indicative and not binding. Cranes manufactured and marketed by F.lli Ferrari - Les données, descriptions et illustrations sont uniquement indicatives et n'engagent pas F.lli Ferrari. Grues produites et/ou vendues par F.lli Ferrari - Angaben, Beschreibungen und Abbildungen sind weisend und verpflichten nicht F.lli Ferrari. Die Kräne werden von F.lli Ferrari hergestellt und/oder vermarktet - Los datos, las descripciones y las ilustraciones son indicativos y no implican compromiso para F.lli Ferrari. Gruas producidas y/o comercializadas por F.lli Ferrari - Os dados as descrições e ilustrações são indicativos e não comprometem F.lli Ferrari. Guindaste produzidos e/ou comercializados pela F.lli Ferrari.

COMPANY
WITH QUALITY MANAGEMENT
SYSTEM CERTIFIED BY DNV
= ISO 9001/2000 =



Mod.	FOLDED		OPENED	
	A	B	C	D
719R A1	2500	2300	50	2500
719R A2	2500	2300	50	2500
719R A3	2500	2300	50	2500
719R A4	2500	2300	50	2500
719R A5	2500	2300	50	2500
719R A6	2500	2300	50	2500
719R A3J3	2500	2400	50	2500
719R A4J2	2500	2450	50	2500
719R A4J3	2500	2450	50	2500

SPAZIO RICHIESTO PER L'INSTALLAZIONE NECESSARY SPACE FOR INSTALLATION

719R	Con attivazioni - With extra function	
719R A1	1000	1110
719R A2	1000	1110
719R A3	1000	1110
719R A4	1000	1110
719R A5	1050	
719R A6	1050	
719R A3J3	1110	
719R A4J2	1110	
719R A4J3	1110	



F.lli FERRARI CORPORATION S.p.A.

Via Pasubio, 3

42022 Boretto (RE) Italy

Tel. +39 0522/964921

Fax +39 0522/964405

E-mail: marketing@flliferrari.com

www.flliferrari.com

M.K.T. 5800138 07/05 3000




719R



719R

RED POWER



F.LLI FERRARI CORPORATION S.p.A.

FERRARI 719R



I

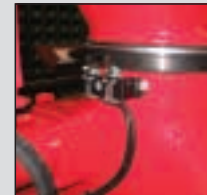
La gru F.Ili Ferrari mod. 719 racchiude in se caratteristiche tecniche e meccaniche di elevata qualità

- Acciai ad alto limite di snervamento
- Basamento e pignone colonna in fusione
- Struttura interamente sabbiata
- Bracci esagonali
- Sbracci fino a 16.60 m (20.71 con prolunga meccanica)
- Valvole di sicurezza flangiata
- Valvola rigenerativa sugli sfili idraulici
- Raccordi girevoli su distributore
- Limitatore di momento (CE)
- Stabilizzatori rotanti
- Stab. estendibili idraulicamente
- Piattello stabilizzatore snodato
- Pattini di scorrimento con ripresa gioco autoserrante
- Boccole autolubrificanti
- Raccorderia SAE J 1514I
- Gancio girevole
- Kit di montaggio compreso
- Red Power
- Distributore proporzionale Compensato Danfos PVG 32
- ECM Electronic Crane Manager
- Comando a distanza

Accessori

- Prolunghe meccaniche
- Comandi supplementari attivati*
- Stabilizzatori extraestendibili (6.0 m)
- Traverse supplementari
- Utilizzo con attrezzo*
- Dispositivo di controllo RLC
- Verricello idraulico
- Scambiatore di calore
- Sedile

*) solo/only A1-A2-A3-A4



GB

The crane model 719 from F.Ili Ferrari has been projected and manufactured with high quality technical and mechanical characteristics

- Steel at high yielding edge
- Basement and column pinion by melding made
- Structure fully sandblasted
- Hexagonal booms
- Hydraulic outreach until 16.60 mt (20.71 with mechanical boom)
- Flanged valves
- Regenerating valve on hydraulic booms
- Turning fittings on the control valve
- Load limiting device (CE)
- Turning outriggers
- Hydraulic opening cylinders
- Articulated outrigger plate
- Sliding pad with self-adjusting gap
- Self-tapping bushings
- SAE JIC 1514I fittings
- Turning hook
- Mounting kit included
- Red Power
- Proportional control valve Danfoss PVG 32
- ECM Electronic Crane Manager
- Remote control

Accessories

- Mechanical booms
- Extra functions*
- Extra wide outriggers (6.0 m)
- Extra beams
- Use with special equipments*
- Load radio checking device RLC
- Hydraulic winch
- Oil cooler
- Top seat



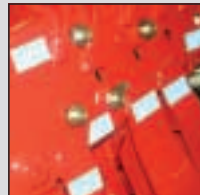
F

La grue modèle 719 F.Ili Ferrari est conçue avec des caractéristiques techniques et mécaniques de plus haute qualité

- Acier à haut niveau de déformation plastique
- Embase et pignon colonne moulés
- Structure complètement sablée
- Rallonges hexagonales
- Portée Hydraulique jusqu'à 16.60 Mt (20.71 mt avec rallonges mécaniques)
- Vannes bridées
- Vanne regeneration huile sur rallonges hydrauliques
- Raccords tournants sur distributeur
- Limiteur de moment (CE)
- Béquilles tournantes
- Béquilles à ouverture hydraulique
- Plat d'appui béquille avec joint à rotule
- Patins de coulissement auto enregistrables
- Douilles autolubrifiantes
- Raccords SAE-JIC 1514I
- Crochet tournant
- Kit de montage inclus
- Red Power
- Distributeur proportionnel Danfoss PVG 32
- ECM Electronic Crane Manager
- Commande à distance

Accessoires

- Rallonges mécaniques
- Circuits supplémentaires activées*
- Béquilles extra larges (6.0 m)
- Poutres à béquilles supplémentaires
- Utilisation avec accessoires*
- Dispositif de contrôle de la charge RLC
- Treuil hydraulique
- Refroidisseur huile
- Siège en haut



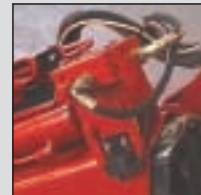
D

Das Kranmodell 719 vom F.Ili Ferrari ist mit höchsten Qualität für technischen und mechanischen Eigenschaften projiziert und hergestellt worden

- Stahl am hohen einträglichen Rand
- Sockel und Zahnrad beim Schmelzen gemacht
- Struktur voll Sand gestrahlt
- Sechseckige Ausschube
- Hydraulischen Reichweiten bis 16.60 mt. (20.71 mt mit mechanischen Ausschube)
- Geflanscht Ventilen
- Regenerations-Ventil auf die Ausschube
- Drehbar Auschlusse auf Steuerung
- Lasthaltventil (CE)
- Drehbar Abstützungen
- Abstützungen mit hydraulischen Öffnung
- Gelenkstutzscheibe
- Gleitschuh mit Selbstnachsteller Spiel
- Selbstschmierende Buchsen
- SAE-JIC 1514I Anschlusse
- Schwenkbar Haken
- Einsatzbau eingeschlossen
- Red Power
- Proportional Steuerung Danfoss PVG 32
- ECM Electronic Crane Manager
- Fernsteuerung

Zubehöre

- Mechanische Ausschube
- Zusatzfunktionen*
- Extra-weit Abstützungen (6.0 m)
- Zusatzabstützungen
- Benutzung mit Zubehöre*
- Gewichtskontrolle Vorrichtung RLC
- Hydraulischer Winde
- Ölkühler
- Hochsitz



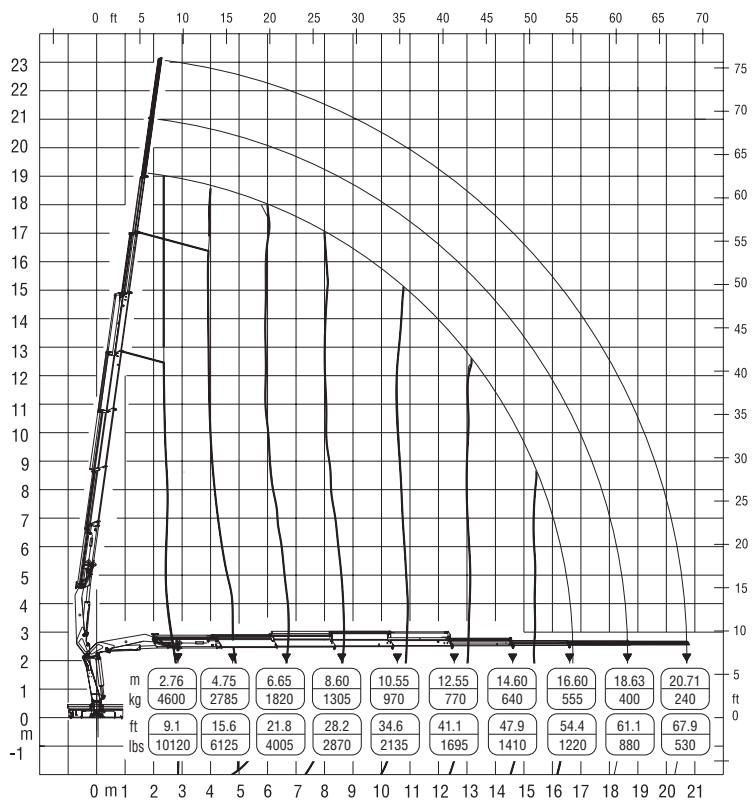
SP

El modelo de la grúa 719 de F.Ili Ferrari se ha proyectado y fabricado con características técnicas y mecánicas de alta calidad

- Acero en el alto borde de rendimiento
- Piñón de la columna y basamento moldeados
- Estructura completamente arenada
- Prolongas hexagonales
- Alcances hidraulicos hasta mt.16.60 (20.71 mt con prolongas mecanicas)
- Valvulas rebordeadas
- Valvula de regeneración sobre las prolongas
- Empalmes giratorios sobre distribuidor
- Limitador de momento (CE)
- Patas giratorias
- Patas con abertura hidraulica
- Patin de deslizamiento con juego autoreguleable
- Plato de apoyo de patas articulado
- Casquillos autolubricantes
- Empalmes SAE-JIC 1514I
- Gancho giratorio
- Kit de montaje incluido
- Red Power
- Distribuidor proporcional Danfoss PVG 32
- ECM Electronic Crane Manager
- Mando a distancia

Accesorios

- Prolongas mecanicas
- Activaciones adicionales*
- Patas extra-largas (6.0 m)
- Patas adicionales
- Utilización con accesorios*
- Dispositivo de verificación de carga RLC
- Cabrestante hidraulico
- Cambiador de calor
- Puesto de mando arriba



Questo dispositivo visualizza su un display collocato in prossimità dei comandi il carico applicato al gancio della gru, rendendo l'utilizzo delle prolunghe meccaniche sicuro secondo la normativa europea EN 12999.

This device shows the load at the hook on a display placed near the controls, making safe the use of the mechanical booms following the European rule EN 12999.



RADIO REMOTE STANDARD

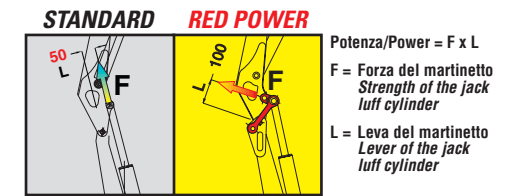


The operator can control the crane with high precision proportional levers in every position and, doing so, can supervise the loading and unloading operations. That means a great time saving and a higher safety.

All the remote control used by F.Ili FERRARI CORPORATION have an identification code and are shielded from electromagnetic fields and from external radio signals.

RED POWER, FINO AL DOPPIO DELLA POTENZA*

RED POWER, TWICE THE POWER*



POWER 50% POWER 100%

Red power è sinonimo di maggior potenza di articolazione dei bracci gru, realizzato tramite un sistema di bielle di articolazione.

"Red Power" means more leverage to the crane booms. This leverage is achieved through an articulating connecting rod system.



*) In posizione verticale in vertical position

