



Better Level Ride

BLR Series™

Platform sections both have ramp inclines which reduces the angle of the platform resulting in a better level ride and easier loading.

Key Features

- Lower profile platform and less ramp angle incline allows for easier loading and unloading of carts
- Aluminum flip-out extension is easier to open and fold
- Special rear platform section incline design cradles wheeled carts
- Pre-assembled and tested for fast trouble-free installation
- **Lifting capacity** - 2,500 - 3,000 lbs.
- **Applications** - straight trucks, cube or cutaway vans, flat beds and trailers



Rear platform section incline

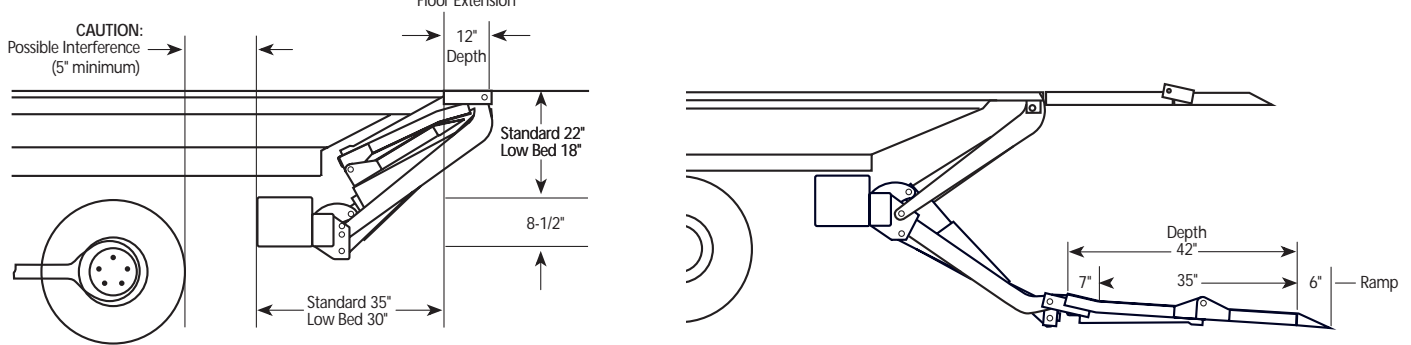
Call 800-289-1335 in the U.S.
416-421-7987 in Canada

Visit our web site: www.ultronlift.com

Better Level Ride Tuckaway Product Information

Clearance and Lift Dimensions

Note: Width of Floor Extension is 96"



Specifications

Model	Bed Height* Min-Max"	Capacity lbs.	Weight lbs.	Available Platform Sizes			Twin Cylinder
				width"	depths"	ramp"	
BLR257242	42-56	2500	820	72	42**	6	
BLR258542	42-56	2500	880	85	42**	6	
BLR308542	42-56	3000	980	85	42**	6	
BLR308542TC	42-56	3000	980	85	42**	6	✓

* Min. fully laden, max. unladen

** 42" platform depth is the total of a 7" ramp and a 35" flat cargo area

Popular Options

- Aluminum platform
- Low bed height option 34"- 42", maximum platform depth 36" (32" platform + 4" ramp)
- Heavy duty 3/8" thick floor extension – recommended when a forklift will be driven on the floor extension
- Heavy duty steel dock bumpers combined with side steps (Option 209-2)
- Power down for cold weather applications
- Heavy duty motor recommended for high cycle applications

Standard Features

- Three year warranty
- Heat shrunk electrical connections meet TMC specifications
- Maintenance free bushings – eliminates the need for regular greasing
- Zinc chromate hinge pins – for corrosion resistance and long life
- Weather sealed steel pump box fully encloses power unit
- Weather sealed electronic controls are easier and safer than mechanical controls
- 1/4" steel treadplate floor extension



Authorized Distributor

E-mail: info@ultronlift.com • Web: www.ultronlift.com

Ultron Lift Corp.
 190 Lewis Street • PO Box 6126
 Buffalo, NY 14240-6126 USA
 Phone: 800-289-1335
 716-853-7994
 Fax: 716-854-5424

Ultron Lift Inc.
 Les Hayons Ultron Inc.
 12 Industrial Street
 Toronto, ON M4G 1Y9 Canada
 Phone: 416-421-7987
 Fax: 416-421-7927