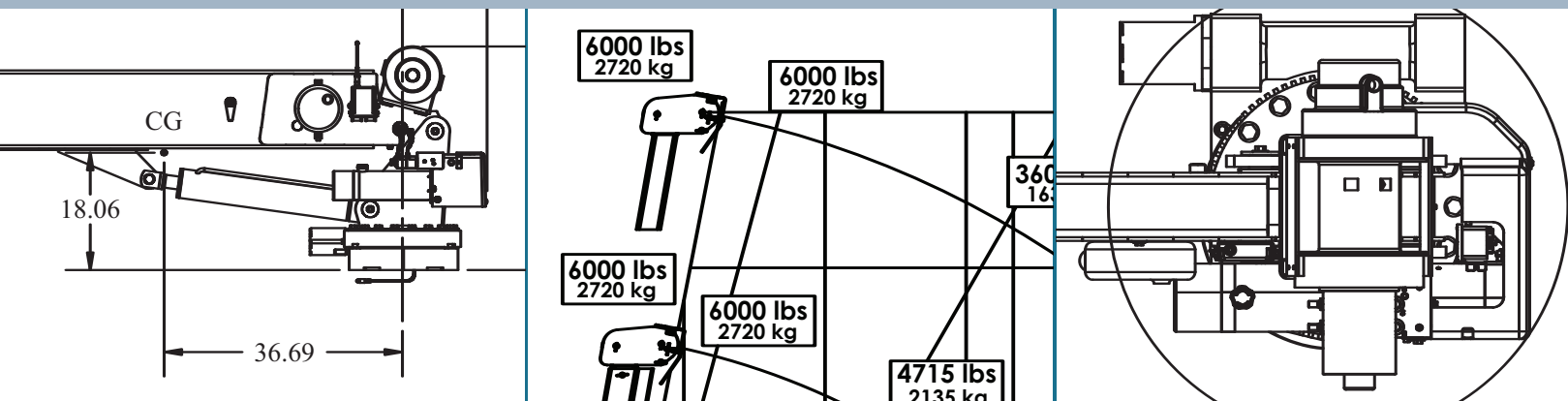


# EC6000

THE EC SERIES OF SERVICE CRANES BY



TECHNICAL SPECIFICATION GUIDE



# TECHNICAL SPECIFICATION GUIDE

## ■ SPECIFICATION INFORMATION

Crane Rating:	38,000 ft-lbs (5.25 ton-meters)
Standard Boom Length:	11' (3.35 m) from CL of Crane
Boom Extension:	
• 1st stage:	Hydraulic 60" (152.4 cm)
• 2nd stage:	Manual 60" (152.4 cm)
Max. Horizontal Reach:	21' (6.40 m) from CL of Crane
Maximum Vertical Lift: (from crane base)	22' 10" (6.96 m)
Boom Elevation:	-5 to +80 degree
Stowed Height: (crane only)	34.41" (87.40 cm)
Mounting Space Required:	20" x 21" (50.8 x 53.3 cm)
Shipping Weight:	1600 lbs (725 kg)
Controls:	Radio control standard for all functions
Winch	
• Rope Length:	90' (27.4 m)
• Rope Diameter:	5/16" (.79 cm)
• Line pull speed:	16 ft/min (4.88 m/min)
• Max. single part line:	3000 lbs (1360 Kg)
• Max. double part line:	6000 lbs (2720 Kg)
Rotation:	400 degree power (worm gear)
Lifting Capacities:	6000 lbs @ 6'4" (2720 Kg @ 1.9 m) 1810 lbs @ 21' (820 Kg @ 6.4 m)
Power Supply Required:	12 volt power unit 2.0 gpm @ 2900 psi (7.57 lpm @ 200 bars)

## ■ DEFINING CHARACTERISTICS

### Planetary Drive Winch System

The winch is equipped with a 2.5 HP permanent magnet electric motor with a 199:1 planetary gear reduction system. This ensures that your winch will never quit lifting before it reaches the full rated capacity.

### Double Boom Design

The double boom design makes it nearly twice as strong as the nearest competitor.

### Gear Bearing Rotation

No plastic bushings or brass gears in the rotation system. It uses a high strength steel ball bearing turntable gear, a high strength steel worm gear, and a cast steel worm gear housing.

### Integral Rotation Stop

400 degrees of rotation with an integrated rotation stop. Integrated stops allow the best performance while protecting wires and hoses from damage.

### 21' of Reach

Hydraulic 1st stage extension. Manual 2nd stage extension.

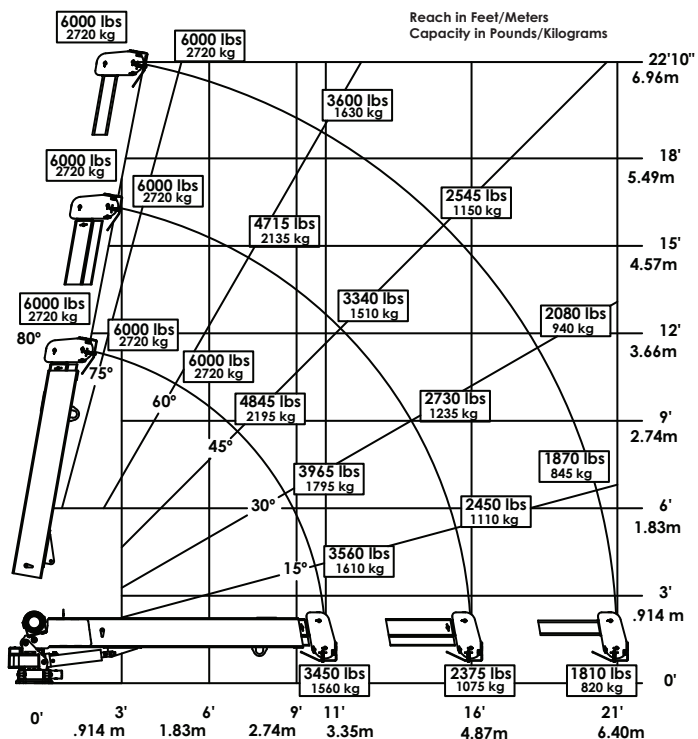
### Radio Remote

Comes standard with a radio remote control.

### Environmentally Friendly Hydraulic Oil

Stellar Industries uses environmentally friendly hydraulic oil in their EC Series of cranes, that is non-toxic, non-carcinogenic and that is recyclable and biodegradable.

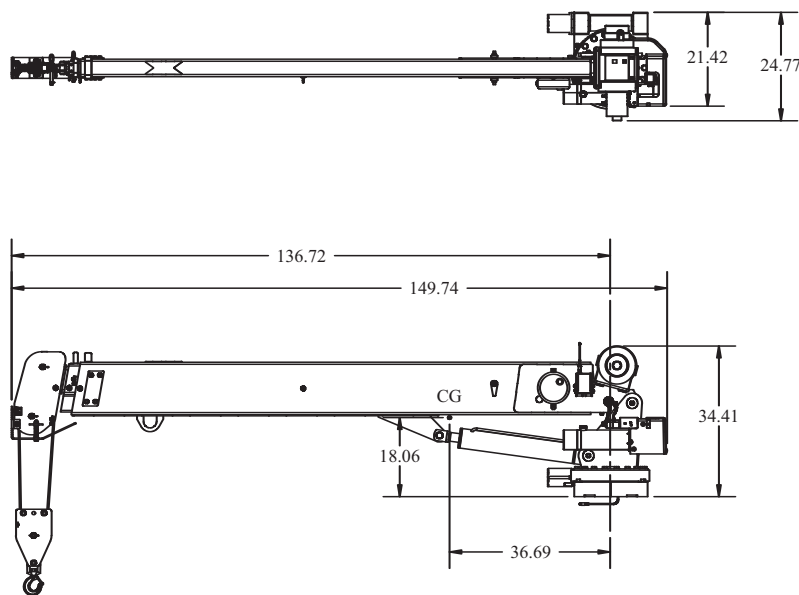
### ■ EC6000 CAPACITY CHART



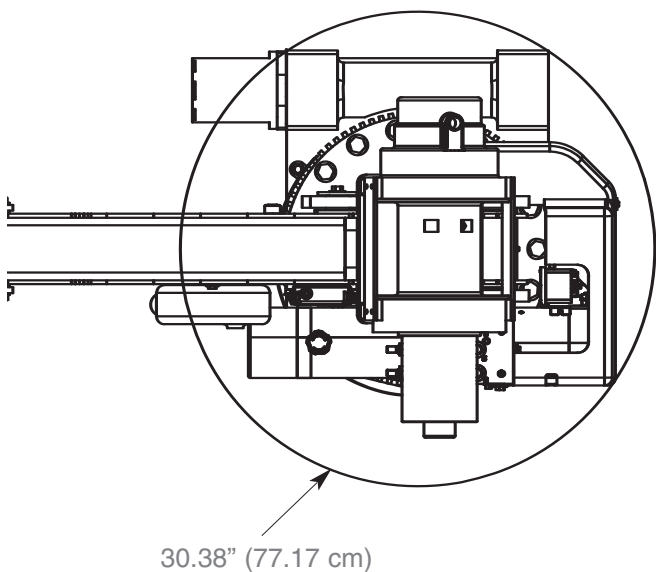
Weight of load handling devices are part of the load lifted and must be deducted from the capacity.

Maximum 1 - part line capacity is 3000 lbs. (1360 kg). For greater loads, use 2 - part line.

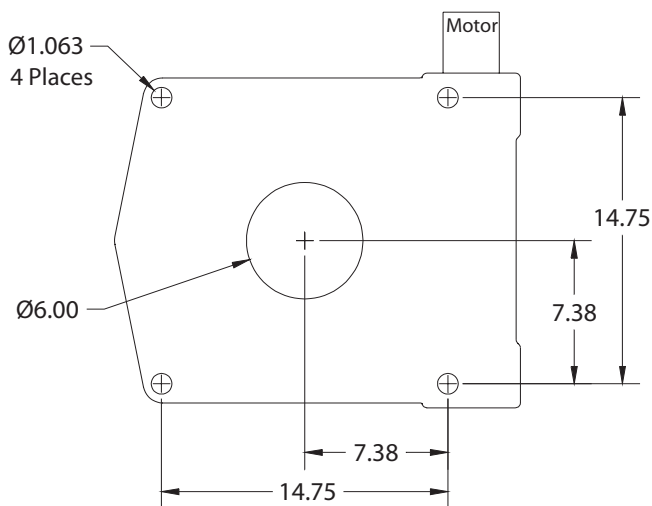
### ■ GEOMETRIC DIMENSIONS



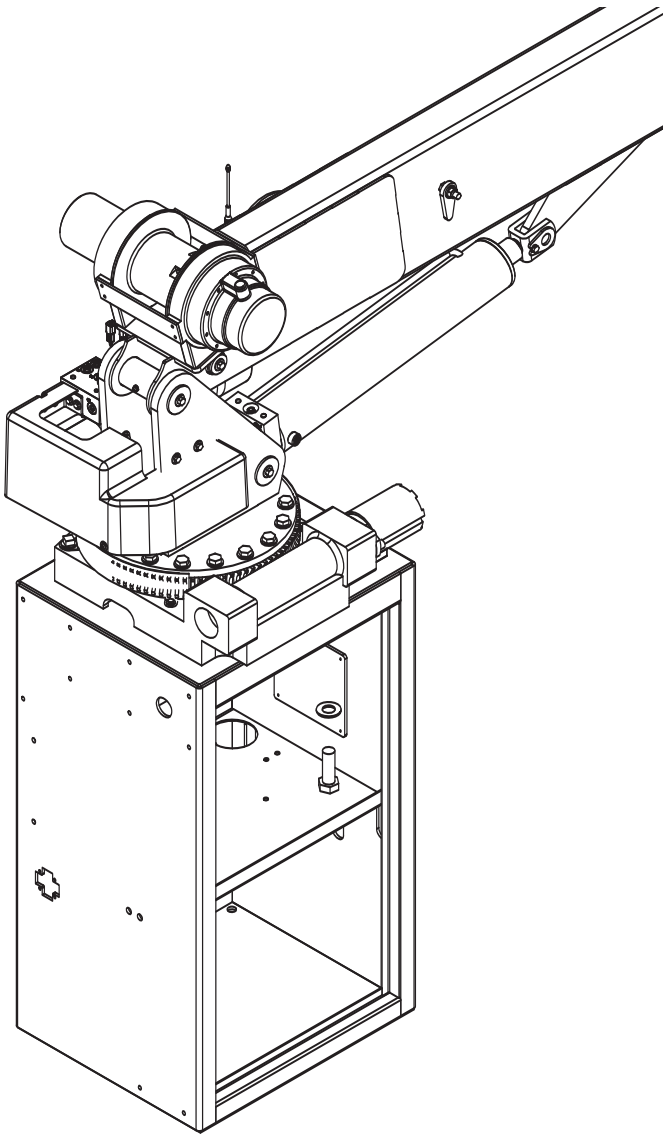
### ■ ROTATIONAL CLEARANCE



### ■ HOLE MOUNTING DETAIL



■ SERVICE BODY MOUNT



---

Your local dealer:



*Our People. Our Products.*

190 State Street  
P.O. Box 169  
Garner, IA 50438  
Telephone: (641) 923-3741 • (800) 321-3741  
Fax: (641) 923-2812  
Internet: [www.stellarindustries.com](http://www.stellarindustries.com)  
Email: [sales@stellarindustries.com](mailto:sales@stellarindustries.com)