



STELLAR® | 2621 TECHNICAL SPECIFICATION GUIDE

12621

Service Crane and T-Max2 -11 and T-Max2-14 Service Bodies



Our People. Our Products.

STELLAR® I262I TECHNICAL SPECIFICATION GUIDE

■ SPECIFICATION INFORMATION

Crane Rating:	66,000 ft-lbs (9.13 ton-m)
Standard Boom Length:	11' (3.35m) from CL of Crane
Boom Extension:	
• 1st stage:	Hydraulic 60" (152.4 cm)
• 2nd stage:	Hydraulic 60" (152.4 cm)
Max. Horizontal Reach:	21' (6.40 m) from CL of Crane
Max. Vertical Lift: (from crane base)	23' (7.01 m)
Boom Elevation:	-5° to +80°
Stowed Height: (crane only)	35.5" (90.2 cm)
Mounting Space Required:	20" x 21" (50.8 x 53.3 cm)
Shipping Weight:	2150 lbs (975 kg)
Controls:	Radio control standard for all functions.
Winch	
• Rope Diameter:	7/16" (1.11 cm)
• Line pull speed:	55 ft/min (16.76 m)
• Max. single part line:	6,000 lbs (2,721 kg)
• Max. double part line:	12,000 lbs (5,443 kg)
Rotation:	400° power (worm gear)
Lifting Capacities:	12,000 lbs @ 5.5' (5,443 kg @ 1.68 m) 3,140 lbs @ 21' (1,425 kg @ 6.40 m)
Power Supply Required:	PTO & Pump 8 gpm @ 3000 psi (30.3 lpm @ 207 bars)

■ DEFINING CHARACTERISTICS

Remote Control

Stellar Industries was the first U.S. manufacturer to include the state-of-the-art, fully proportional, multi-functional remote control as a standard feature. The radio remote incorporates a variable speed trigger that allows the operators to feather the crane with precise control. Additionally, the radio remote control handle features engine start/stop functions, compressor on/off, engine speed controls, and an emergency shut-off.

Planetary Drive Winch System

To maximize winch speed, Stellar Industries has incorporated a planetary drive winch system with line speeds up to 60-ft/min (18.59 m). In addition to speed, the planetary winch also provides mechanical and hydraulic breaks for added security.

Hexagonal Boom Design

Hexagonal booms are stronger and greatly reduce boom flex and side-to-side movement.

Greaseless Bushings

Maintenance free greaseless bushings.

Stainless Steel Pivot Pins

Lower maintenance and extend life.

21' of Hydraulic Reach

2-stage hydraulic extensions. No manual extensions.

Dual Acting Counter Balance Valves

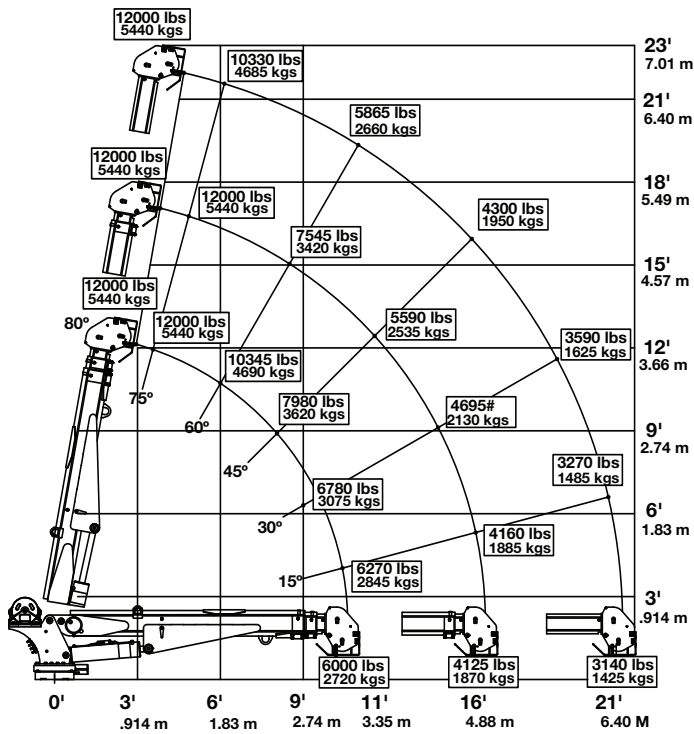
Integrated into cylinders.

Flip Sheave Optional

Anti Two-Block Device

NOTE: All Stellar cranes meet ANSI B30.5 and OSHA 1910.180 specifications. Specifications subject to change without notification.

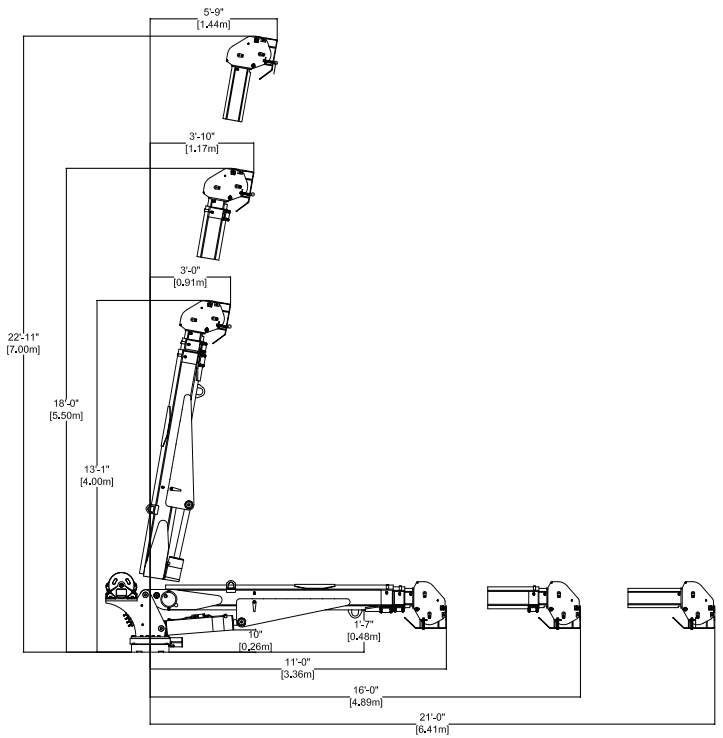
12621 CAPACITY CHART



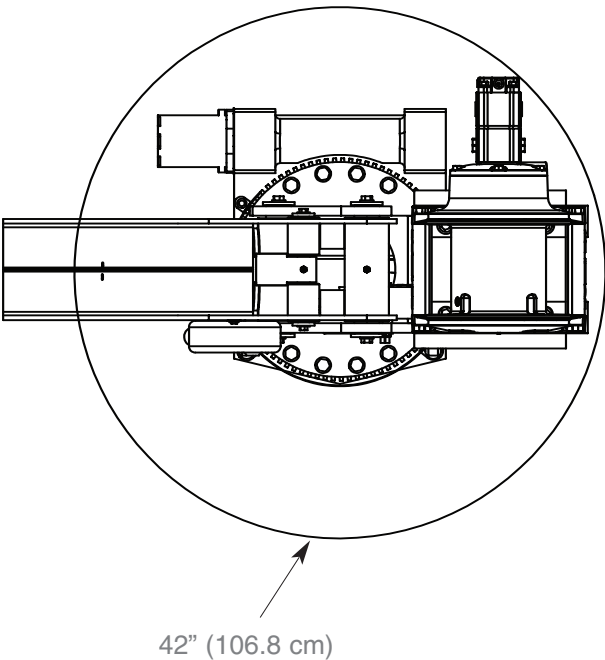
Weight of load handling devices are part of the load lifted and must be deducted from the capacity.

Maximum 1 - part line capacity is 6000 lbs. (2720 kg). For greater loads, use 2 - part line.

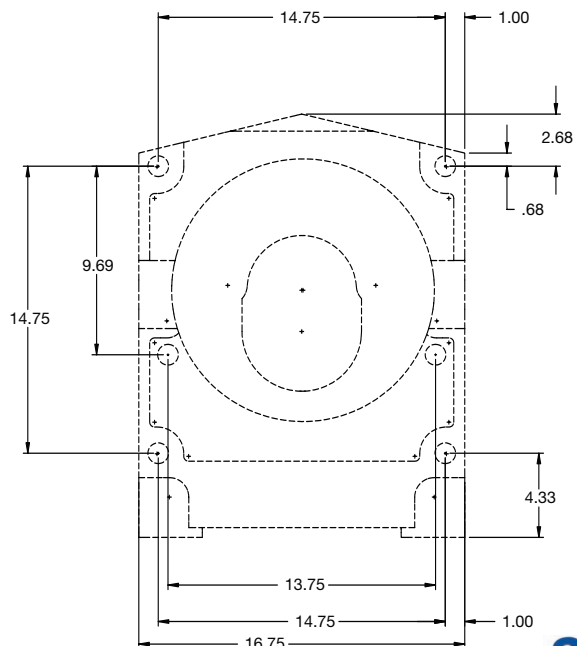
GEOMETRIC DIMENSIONS



ROTATIONAL CLEARANCE



HOLE MOUNTING DETAIL



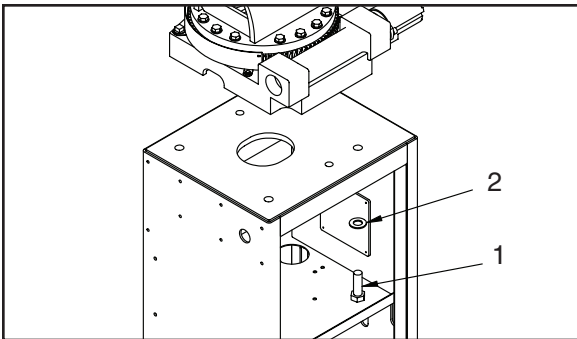
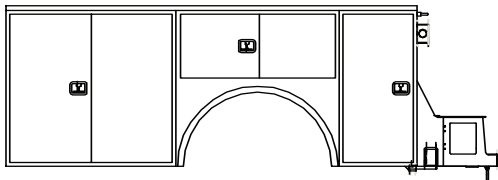
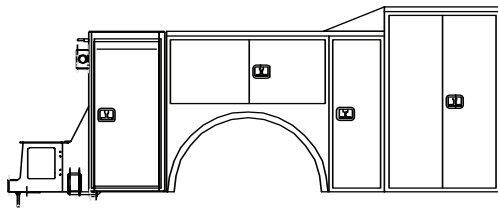
■ Service Bodies

T-Max2-11 Service Body (11' Body)

Applicable Chassis: 25000 GVWR Chassis and up

Crane Models: 9621
10621
10628
12621
12628

Cab to Axle: 84" (213.36 cm)
Body Length Nominal: 133" (337.82 cm)
Body Height: 52" (132.08 cm)
Body Width: 94" (238.76 cm)
Compartment Depth: 22" (55.88 cm)
Floor Width: 50" (127 cm)
Net Weight: 3600 lbs (1632.93 kg)

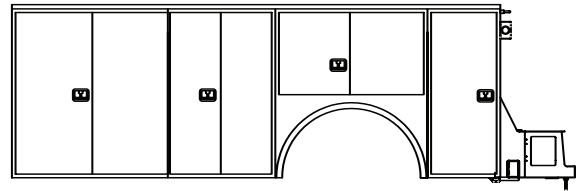
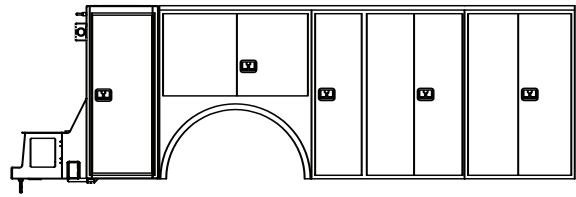


T-Max2-14 Service Body (14' Body)

Applicable Chassis: 25000 GVWR Chassis and up

Crane Models: 9621
10621
10628
12621
12628

Cab to Axle: 120" (304.8 cm)
Body Length Nominal: 157" (398.78 cm)
Body Height: 52" (132.08 cm)
Body Width: 94" (238.76 cm)
Compartment Depth: 22" (55.88 cm)
Floor Width: 50" (127 cm)
Net Weight: 4000 lbs (1814.37 kg)



Item	Part	Description	Qty.
1	5199	Cap Scr 1.00-8x3.00 HHGRB ZY	6
2	1433	Washer 1.00 USS Flat Zinc	6

Your local dealer:



Our People. Our Products.

190 State Street
P.O. Box 169
Garner, IA 50438
Telephone: (641) 923-3741 • (800) 321-3741
Fax: (641) 923-2812
Internet: www.stellarindustries.com
Email: sales@stellarindustries.com

An Employee Owned Company.
Copyright © 2008 Stellar Industries, Inc.