



STELLAR 6620 UTILITY TECHNICAL SPECIFICATION GUIDE



6620 UTILITY

Underground Utility Service Crane



Our People. Our Products.

STELLAR 6620 UTILITY TECHNICAL SPECIFICATION GUIDE

■ SPECIFICATION INFORMATION

Crane Rating:	38,000 ft-lbs (5.25 ton-m)
Standard Boom Length:	10' 9" (3.28 m) from CL of Crane
Boom Extension:	
• 1st stage:	Hydraulic 60" (152.4 cm)
• 2nd stage:	Hydraulic 60" (152.4 cm)
Max. Horizontal Reach:	20' 9" (6.32 m) from CL of Crane
Max. Vertical Lift: (from crane base)	22' (6.71 m)
Boom Elevation:	-5° to +80°
Stowed Height: (crane only)	32.5" (82.6 cm)
Mounting Space Required:	20" x 21" (50.8 x 53.3 cm)
Shipping Weight:	1625 lbs (735 kg)
Controls:	Radio control standard for all functions
Winch	
• Rope Diameter:	5/16" (.794 cm)
• Line Pull Speed:	60 ft/min (18.29 m)
• Max. Single Part Line:	3000 lbs (1360 kg)
• Max. Double Part Line:	6000 lbs (2720 kg)
Capston Winch Capacity:	1000 lbs
Rotation:	400° power (worm gear)
Lifting Capacities:	3525 lbs @ 10'9" (1600 kg @ 3.28 m) 1825 lbs @ 20'9" (830 kg @ 6.32 m)
Power Supply Required:	PTO & Pump 8 gpm @ 2850 psi (30.31 lpm @ 197 bars)

NOTE: All Stellar cranes meet ANSI B30.5 and OSHA 1910.180 specifications.

■ DEFINING CHARACTERISTICS

Remote Control

Stellar Industries was the first U.S. manufacturer to include the state-of-the-art variable speed multi-functional remote control as a standard feature. The radio remote incorporates a variable speed trigger that allows the operators to feather the crane with precise control. Additionally, the radio remote control handle features engine start/stop functions, compressor on/off, engine speed controls, and an emergency shut-off.

Planetary Drive Winch System

To maximize winch speed, Stellar Industries has incorporated a planetary drive winch system with line speeds up to 60-ft/min (18.29m), giving the 6620 crane over twice the speed of the competition. In addition to speed, the planetary winch also provides mechanical and hydraulic breaks for added security.

Hexagonal Boom Design

Hexagonal booms are stronger and greatly reduce boom flex and side to side movement.

Greaseless Bushings

Greaseless bushings are easier to service and are maintenance free.

Stainless Steel Pivot Pins

Lower maintenance and extend life.

20'9" of Hydraulic Reach

2-stage hydraulic extensions. No manual extensions.

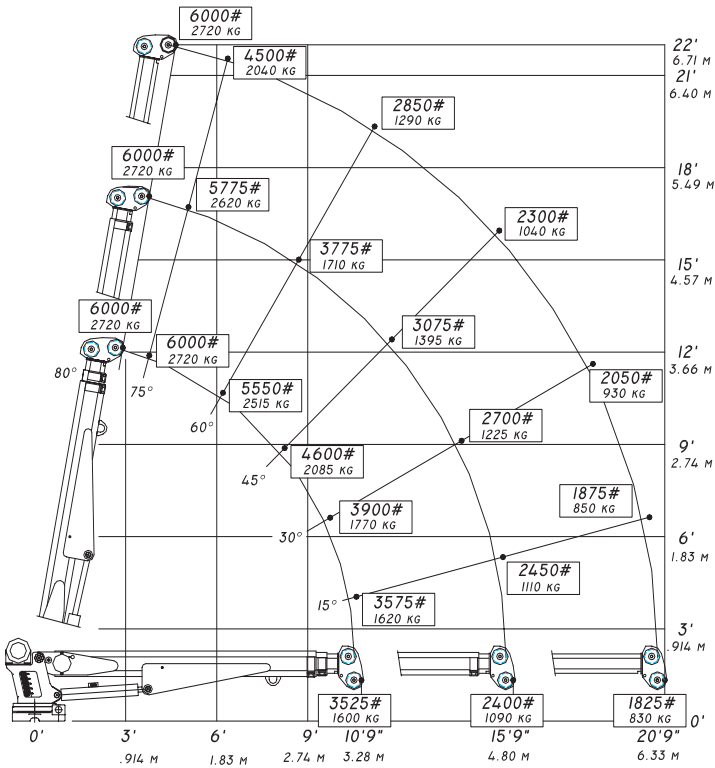
Dual Acting Counter Balance Valves

Integrated into cylinders.

Flip Sheave Standard

Anti Two-Block Device

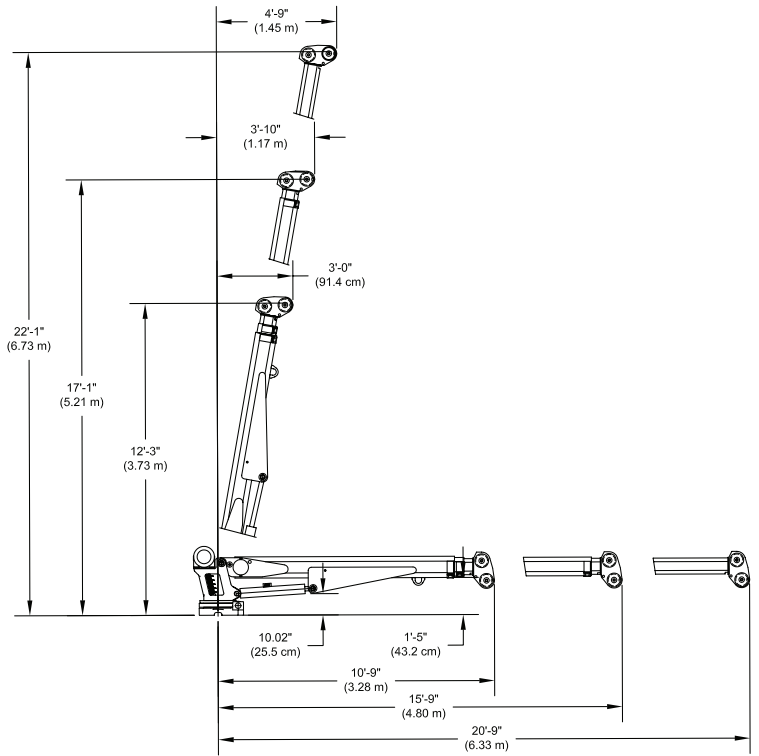
6620 CAPACITY CHART



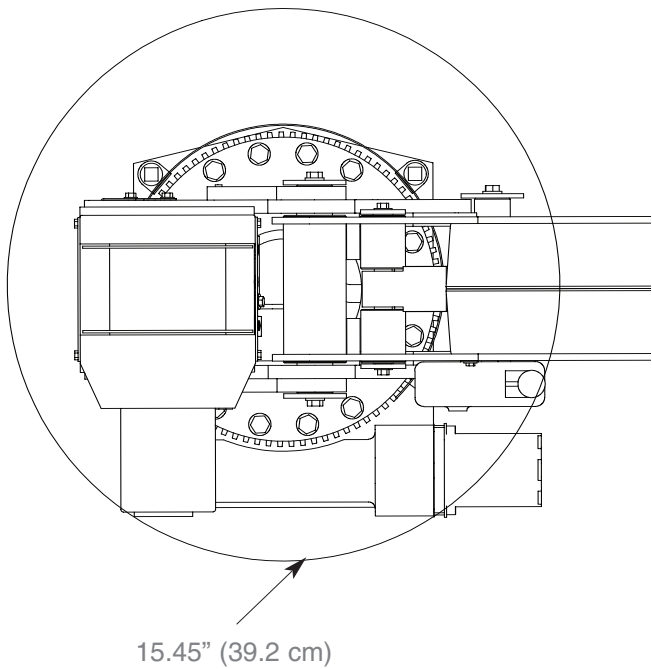
Weight of load handling devices are part of the load lifted and must be deducted from the capacity.

Maximum 1 - part line capacity is 3000 lbs. (1360 kg). For greater loads, use 2 - part line.

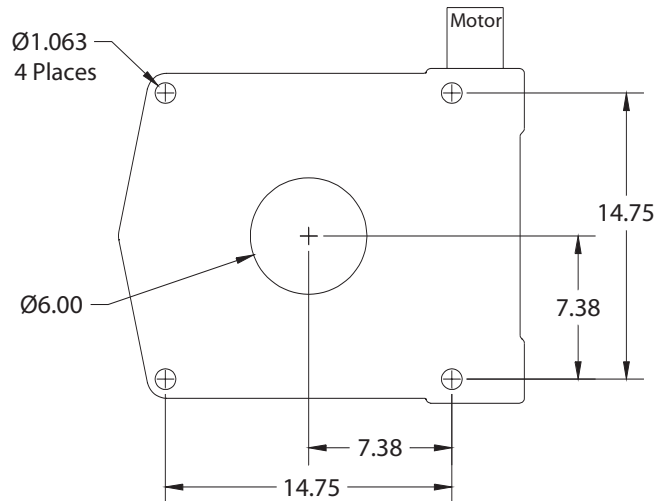
GEOMETRIC DIMENSIONS



ROTATIONAL CLEARANCE



HOLE MOUNTING DETAIL



Stellar 6620 Utility Crane Package.

Stellar Industries has been the industry leader in telescopic service crane features since 1999. Features like full hydraulic reach, standard radio remote control, hexagonal booms, and planetary winch are all features that were first introduced by Stellar Industries.

Stellar Industries is now bringing those features and more to the electric utility industry. The Stellar 6620 Utility Crane is based on Stellar's venerable 6620 mechanics service crane. The Stellar 6620 Utility Crane features a standard radio remote control, 20 feet of hydraulic reach, hexagonal booms, planetary hydraulic winch and a 1000 lb. capacity hydraulic capstan winch mounted at the boom tip.

The Stellar 6620 Utility Crane is designed to help utility crews place pad transformers, and pull underground cable from a suburban or rural home to the pad transformer. Being mounted at the end of the boom, Stellar's capstan winch can be extended to 20' and rotate with the crane to any angle to allow perfect pulling angles.

Stellar Industries also has the ability to manufacture custom service beds based on our industry leading full-length torsion box understructure and our "Torq-Isolator" crane compartment. This ensures that all forces from the crane are transferred to the chassis frame and not through the body's compartments.

Stellar also has the ability to manufacture compartments of different sizes to meet customer needs. We also manufacture an array of accessories like American Eagle compressors and drawer units, rotating or fixed reel stands, welders, lubrication skids, and many other options.

Truck Body Features

14' Utility Service Body

- 108" CA chassis
- Torsion box understructure
- Street side or curb side steel tool compartments
- Multiple number of compartment options
- Street side or curb side 2-piece removable or fixed fence
- Optional non-skid Scorpion tough coat spray floor covering
- Slide in aluminum tailboard
- Heavy duty rear step bumper w/ 2" receiver tube
- Multiple outrigger options available
- Imron 5000 paint
- Automotive style electrical wiring harnesses

12' Utility Service Body

- 84" CA chassis
- Torsion box understructure
- Street side or curb side steel tool compartments
- Multiple number of shelving options
- Optional street side or curb side removable fence with optional E-Track
- Optional non-skid Scorpion tough coat spray floor covering
- Heavy duty rear step bumper w/ 2" receiver tube
- Multiple outrigger options available
- Imron 5000 paint
- Automotive style electrical wiring harnesses



■ 1000 lb. Capstan Winch.



■ Hydraulic hoses supported with high strength hose track.



■ Reel Stand - Fixed or rotating.



■ Optional American Eagle heavy duty drawer units.



■ Optional American Eagle air compressor (SHD-60)



Our People. Our Products.

190 State Street
P.O. Box 169
Garner, IA 50438
Telephone: (641) 923-3741 • (800) 321-3741
Fax: (641) 923-2812
Internet: www.stellarindustries.com
Email: sales@stellarindustries.com