



### Dock Access

*DA Series™*

Cost-effective large 85" X 42" platform loading area with uninhibited rear door access. Platform conveniently folds under truck when not in use.

### Key Features

- Pre-assembled and tested for fast trouble-free installation
- Standard low maintenance features include maintenance free bushings and zinc chromate pins
- Platform has screw style adjusting bolts for easy, level adjustment
- Power unit fully enclosed in steel enclosure
- Twin torsion springs provide effective assistance during opening and closing of platform
- **Lifting capacity** - 2,500 - 3,000 lbs.
- **Applications** - straight trucks, cube or cutaway vans, flat beds and trailers



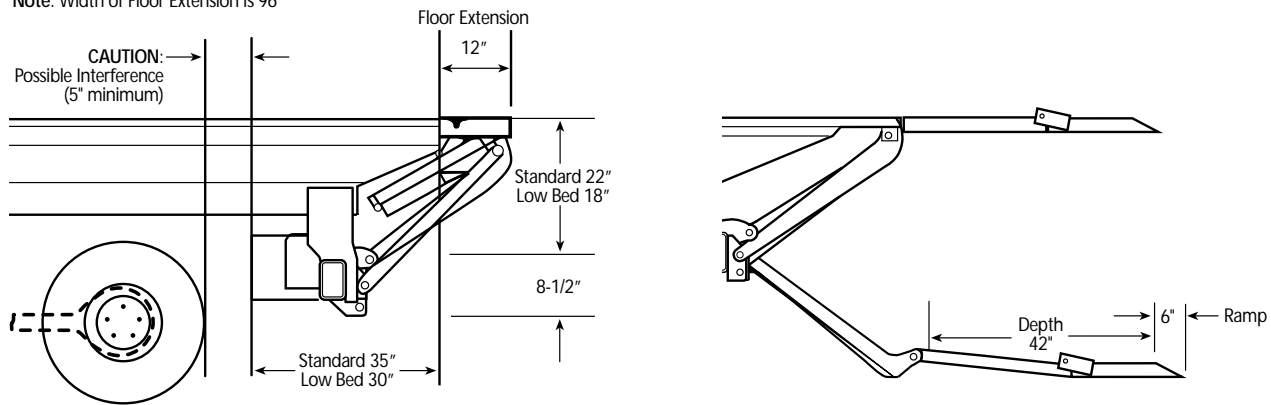
Call 800-289-1335 in the U.S.  
416-421-7987 in Canada

Visit our web site: [www.ultronlift.com](http://www.ultronlift.com)

# Dock Access Tuckaway Product Information

## Clearance and Lift Dimensions

Note: Width of Floor Extension is 96"



## Specifications

Model	Bed Height* Min-Max"	Capacity lbs.	Weight lbs.	Available Platform Sizes			Twin Cylinder
				width"	depths"	ramp"	
DA257242	42-56	2500	820	72	42	6	
DA258542	42-56	2500	880	85	42	6	
DA308542	42-56	3000	980	85	42	6	
DA308542TC	42-56	3000	980	85	42	6	✓

\* Min. fully laden, max. unladen

## Standard Features

- Heat shrunk electrical connections meet TMC specifications
- Maintenance free bushings – eliminates the need for regular greasing
- Zinc chromate hinge pins – for corrosion resistance and long life
- Steel pump box – weather sealed power unit box helps to eliminate common electrical problems
- Weather sealed electronic controls are easier and safer than mechanical controls
- 1/4" steel treadplate floor extension

## Popular Options

- Aluminum platform
- Low bed height option 34"- 42", maximum platform depth 36" (32" platform + 4" ramp)
- Heavy duty 3/8" thick dock extension – recommended when a forklift will be used to run over the dock extension
- Heavy duty steel dock bumpers/ side steps
- Power down for cold weather applications
- Twin cylinder model available (DA258542TC)
- Heavy duty motor



Authorized Distributor

E-mail: [info@ultronlift.com](mailto:info@ultronlift.com) • Web: [www.ultronlift.com](http://www.ultronlift.com)

**Ultron Lift Corp.**  
 190 Lewis Street • PO Box 6126  
 Buffalo, NY 14240-6126 USA  
 Phone: 800-289-1335  
 716-853-7994  
 Fax: 716-854-5424

**Ultron Lift Inc.**  
**Les Hayons Ultron Inc.**  
 12 Industrial Street  
 Toronto, ON M4G 1Y9 Canada  
 Phone: 416-421-7987  
 Fax: 416-421-7927