



Medium Duty

DL Series™

Chain and sprocket drive offers weight savings, reduced maintenance, and more load stability over competitive arcing design.

Key Features

- Built in no maintenance toe deflector
- Available with aluminum platform up to 96" deep
- Compact, weight saving design increases payload and fuel efficiency
- Reduced maintenance with integrated 12 VDC motor, tank and pump built into the housing
- Three year warranty
- **Lifting capacity** - 1,250 - 3,000 lbs.
- **Applications** - straight trucks, cube or cutaway vans, step vans, flat beds and dual wheel service bodies

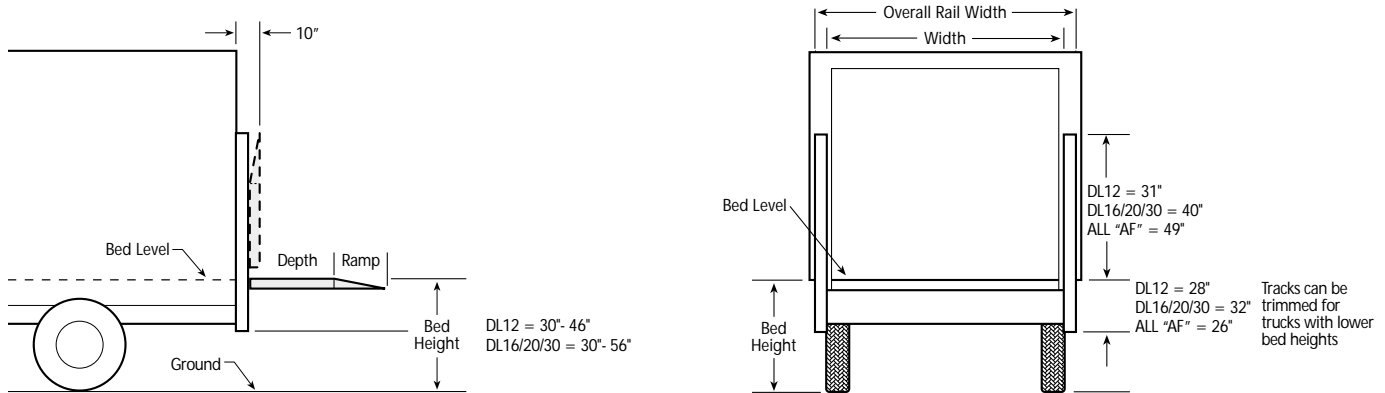


Call 800-289-1335 in the U.S.
416-421-7987 in Canada

Visit our web site: www.ultronlift.com

Medium Duty Railgate Product Information

Clearance and Lift Dimensions



Specifications

| Model* | Capacity lbs. | Weight lbs. | Overall Rail width" | Available Platform Sizes | | | Material |
|--------------|---------------|-------------|---------------------|--------------------------|------------------------|-------|----------|
| | | | | width" | depths" | ramp" | |
| DL1278-94 | 1250 | 425 | 78 | 73, 89 | 30, 36 | 6 | steel |
| DL1278-94A | 1250 | 400 | 78 | 73, 89 | 30, 36 | 6 | aluminum |
| DL1278-94AF | 1250 | 505 | 78 | 73, 89 | 30, 36 | 6 | steel |
| DL1278-94AFA | 1250 | 450 | 78 | 73, 89 | 30, 36 | 6 | aluminum |
| DL1694 | 1600 | 475 | 94 | 89 | 30, 36, 42 | 6 | steel |
| DL1694A | 1600 | 450 | 94 | 89 | 30, 36, 42, 48, 54, 60 | 6 | aluminum |
| DL1694AF | 1600 | 540 | 94 | 89 | 30, 36, 42 | 6 | steel |
| DL1694AFA | 1600 | 475 | 94 | 89 | 30, 36, 42, 48, 54, 60 | 6 | aluminum |
| DL2094 | 2000 | 490 | 94 | 89 | 30, 36, 42, 48 | 6 | steel |
| DL2094A | 2000 | 465 | 94 | 89 | 30, 36, 42, 48, 54, 60 | 6 | aluminum |
| DL2094AF | 2000 | 550 | 94 | 89 | 30, 36, 42, 48 | 6 | steel |
| DL2094AFA | 2000 | 525 | 94 | 89 | 30, 36, 42, 48, 54, 60 | 6 | aluminum |
| DL3094 | 1600 | 565 | 94 | 89 | 30, 36, 42, 48 | 6 | steel |
| DL3094A | 1600 | 565 | 94 | 89 | 30, 36, 42, 48 | 6 | aluminum |
| DL3094AF | 1600 | 600 | 94 | 89 | 30, 36, 42, 48 | 6 | steel |
| DL3094AFA | 1600 | 575 | 94 | 89 | 30, 36, 42, 48 | 6 | aluminum |

* AF and AFA denotes models with above floor lift. These models will lift to a maximum of 46" from ground. Door opening will be reduced by 2".

Standard Features

- Fast delivery, even on special units with options
- Same day parts service
- Housing fully protects the power unit
- A master disconnect switch and a 135 amp circuit breaker
- Billboard cover for corporate graphics
- Meets TMC specifications
- Electric controls for easy and safe operations
- Anti skid treadplate platform and ramp for better grip
- Straight up and down movement keeps the cargo stable



Authorized Distributor

E-mail: info@ultronlift.com • Web: www.ultronlift.com

Ultron Lift Corp.
190 Lewis Street • PO Box 6126
Buffalo, NY 14240-6126 USA
Phone: 800-289-1335
716-853-7994
Fax: 716-854-5424

Ultron Lift Inc.
Les Hayons Ultron Inc.
12 Industrial Street
Toronto, ON M4G 1Y9 Canada
Phone: 416-421-7987
Fax: 416-421-7927