

Dock Storage

DS Series™

Level ride offers better load stability versus tuckaway design. It provides the convenience of a folding platform that stores at bed height for uninhibited rear door access and dock loading.



Key Features

- Level ride lift - maximum load stability, with straight vertical platform movement
- Large folding platform stows at bed height for uninhibited rear door access and dock loading
- Simple and easy operation when opening and closing the platform
- Easy cargo loading with standard 12" ramp
- Above floor lift to a maximum of 57" from ground available
- Optional aluminum platforms
- **Lifting capacity** - 1,600 - 3,000 lbs.
- **Applications** - straight trucks, cube or cutaway vans, step vans, dual wheel service bodies and trailers

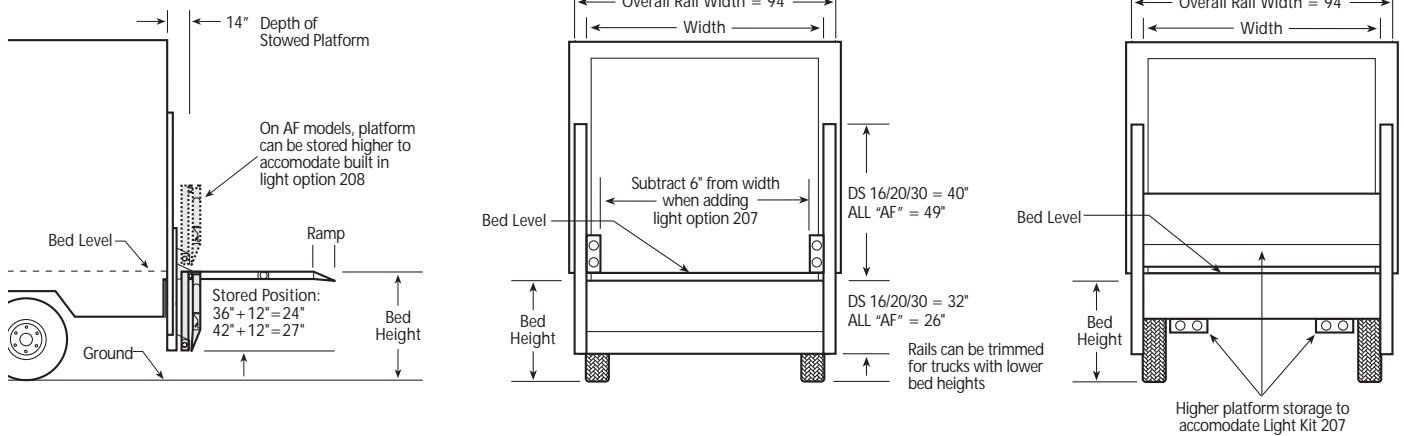


Call 800-289-1335 in the U.S.
416-421-7987 in Canada

Visit our web site: www.ultronlift.com

Dock Storage Railgate Product Information

Clearance and Lift Dimensions



Specifications

Model	Bed Height Min-Max"	Capacity lbs.	Weight lbs.	Overall Rail width"	Available Platform Sizes		
					width"	depths"	ramp"
DS1636F*	38-57	1600	665	94	89	36	12
DS1636AF**	38-57	1600	685	94	89	36	12
DS2036F*	38-57	2000	950	94	89	36	12
DS2036AF**	38-57	2000	970	94	89	36	12
DS2042F*	38-57	2000	975	94	88	42	12
DS2042AF**	38-57	2000	995	94	88	42	12
DS3042F*	38-57	3000	1000	94	88	42	12
DS3042AF*	38-57	3000	1020	94	88	42	12

* F denotes two piece folding platform

** AF denotes models with above floor lift. These models will lift to a maximum of 57" from ground. Door opening will be reduced by 2" on 2000lb. and 8" on 3000lb.

Popular Options

- Platform Material:
 - aluminum • galvanized steel
 - expanded metal • bar grating
- Oversized Ramp in aluminum or steel:
 - fixed • hinged • with cart stop
- Deeper, narrower or wider platforms
- Lights built into the housing - discuss with factory prior to ordering
- Remote hand held toggle switch control with 15 ft. coil cord
- Low maintenance ValuPak - reduces routine maintenance by over 90%
- Trailer installation packages
- Hydraulic platform opening and closing - decreases platform and rail width, discuss with factory prior to ordering

Standard Features

- Three year warranty
- Same day parts service
- Platform folds in half on all steel models and most aluminum models
- 12" ramp
- Weather sealed steel pump box fully encloses power unit
- Master disconnect switch and 135 amp circuit breaker
- Weather sealed electronic controls are easier and safer than mechanical controls
- Anti-skid treadplate platform and ramp for better grip
- Meets TMC specification
- Straight up and down movement keeps the cargo stable
- Torsion bar assisted platform makes it easier to open and close
- Above floor lift (standard in all AF models) lifts the platform above the vehicle's floor to 57" from the ground
- Pressure compensated flow control valve controls platform decent regardless of load weight



Authorized Distributor

E-mail: info@ultronlift.com • Web: www.ultronlift.com

Ultron Lift Corp.
190 Lewis Street • PO Box 6126
Buffalo, NY 14240-6126 USA
Phone: 800-289-1335
716-853-7994
Fax: 716-854-5424

Ultron Lift Inc.
Les Hayons Ultron Inc.
12 Industrial Street
Toronto, ON M4G 1Y9 Canada
Phone: 416-421-7987
Fax: 416-421-7927