

Ultron

Rail Style Liftgates



Dump-Through

DT Series™

Ideal for recyclers, landscapers and contractors, who need the flexibility of dumping and lifting goods with the same truck.

Key Features

- Dual purpose lift can be used as a tailgate for dumping and as a platform to raise and lower material
- Heavy duty rail design, no arcing motion reduces maintenance costs
- Durable construction
- **Lifting capacity** - 1,600 - 4,000 lbs.
- **Applications** - dump trucks and dumping flatbeds

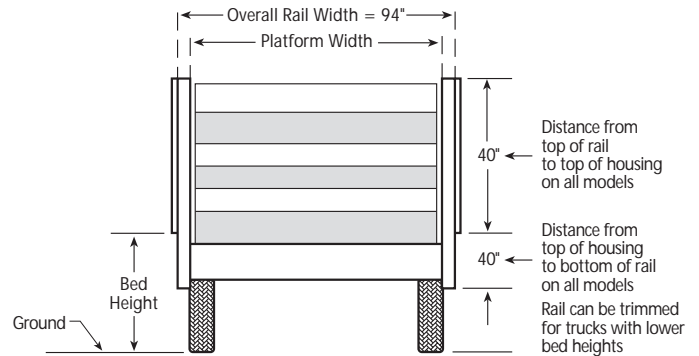
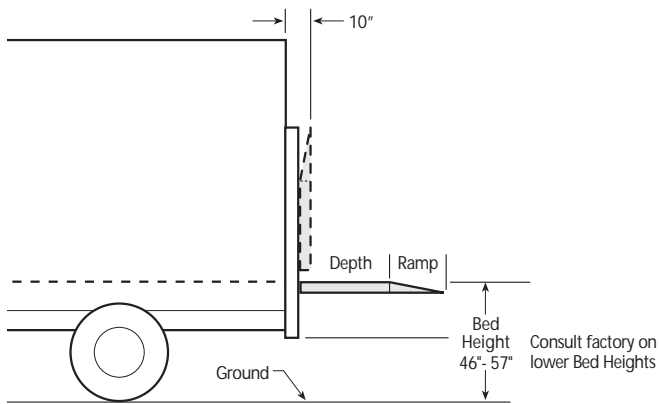


Call 800-289-1335 in the U.S.
416-421-7987 in Canada

Visit our web site: www.ultronlift.com

Dump-Through Railgate Product Information

Clearance and Lift Dimensions



Specifications

Model	Capacity lbs.	Weight lbs.	Bed Height min-max"	Available Platform Sizes			Material
				width"	depths"	ramp"	
DT1636	1600	810	46-57	89	36	6	steel
DT2036	2000	855	46-57	89	36	6	steel
DT3036	3000	890	46-57	89	36	6	steel
DT4042*	4000	1000	46-57	89	42	6	steel

* Contains external power pack

Standard Features

- Three year warranty
- Easy grip pull pins provide a quick conversion from a standard liftgate to dump through
- Dual latching and positive lock safety pins
- Same day parts service
- Weather sealed steel pump box fully encloses power unit
- Master disconnect switch and 135 amp circuit breaker
- Meets TMC specifications
- Weather sealed electronic controls are easier and safer than mechanical controls
- Anti-skid treadplate platform and ramp for better grip
- Straight up and down movement keeps the cargo stable

Popular Options

- Removable liftgate - useful when installing a salt spreader
- Platform Material:
 - aluminum
 - galvanized steel
- Oversized Ramp in aluminum or steel:
 - fixed
 - hinged
 - with cart stop
- Deeper, narrower or wider platforms
- Heavy Duty Motor
- Remote hand held toggle switch control with 15 ft. coil cord
- Low maintenance ValuPak reduces routine maintenance by over 90%



Authorized Distributor

E-mail: info@ultronlift.com • Web: www.ultronlift.com

Ultron Lift Corp.
 190 Lewis Street • PO Box 6126
 Buffalo, NY 14240-6126 USA
 Phone: 800-289-1335
 716-853-7994
 Fax: 716-854-5424

Ultron Lift Inc.
Les Hayons Ultron Inc.
 12 Industrial Street
 Toronto, ON M4G 1Y9 Canada
 Phone: 416-421-7987
 Fax: 416-421-7927